

DETECTION OF ADULTERATION IN FRUITS AND VEGETABLES USING MACHINE LEARNING

Chetan Raju PH*1, D Rakshitha*2, KB Likitha*3, Modala Chetan*4,
Mrs. Jayashubha J*5

*1,2,3,4Student, Department Of CSE, K S School Of Engineering Management(KSSEM),
Bengaluru, India.

*5Assistant Professor, Department Of CSE, K S School Of Engineering
Management(KSSEM), Bengaluru, India.

DOI : <https://www.doi.org/10.56726/IRJMETS32066>

ABSTRACT

This paper presents the recent development in automatic vision based technology. Use of this technology is increasing in agriculture and fruit industry. An automatic fruit and Vegetables quality detection system for sorting and grading of fruits and defected fruit detection discussed here. The main aim of this system is to replace the manual inspection system. This helps in speed up the process improve accuracy and efficiency and reduce time. This system collect image from camera which is placed on conveyor belt. Then image processing is done to get required features of fruits such as color and size. Defected fruit and Vegetables is detected based on image pixels. Sorting is done based on color and size.

I. INTRODUCTION

The intake of any food substance is intended for the nourishment which is gained from it. Since the food is into consecutive stages of production, processing and finally distribution, the nourishment in the food items is collapsed. For the food products to remain improved in texture, storage and appearance, a concept of adulteration is widely practiced. The nature or quality of the food is reduced through addition of adulterants or removal of vital substance by the process of food adulteration. The adulterants may be a foreign or inferior chemical substance present in food that causes harm to the food. In the process of food adulteration, little quantities of non-nutritious substances are added knowingly to improve its appearance or storage properties of the food.

Mostly the adulteration in fruits and vegetables are caused using a harmful chemical substance called Formalin. Formalin is a colorless, aqueous solution of formaldehyde to preserve biological specimens. This chemical is used to prevent the dead bodies from decaying. This property is used to decay. Not every case of adulteration will result in serious adverse health effects. But the chemical is highly toxic and a 30 ml of formalin containing 37 percent of formaldehyde can kill an adult. Formalin is used as a preservative by the traders to improve the appearance of fruits and vegetables and to sustain for longer periods. SEM Secretary Abdus Sobhan found in a research where in 115 samples of mangoes and other fruits were collected from over 50 shops which was organic shops and promises chemical free fruits and Vegetables was treated with formalin.

II. RELATED WORKS

Formaldehyde is naturally occurring metabolic by-product and it is used widely to improve the shelf-life of fruits and vegetables. The naturally produced formaldehyde content in fruits and vegetables are found using a spectrophotometric technique. The outcome provides the baseline data of the formaldehyde present in the food items. Based on the food types, nature of storage and its temperature, pattern of ageing, the behavior of formaldehyde varies. This experimental result could be useful for preventing food contamination and preservation.

- The level of formalin in a fruit or vegetable which exceeds beyond the naturally occurring formaldehyde level is detected using several approaches of machine learning. The HCHO or CH₂ sensor that is used to measure formaldehyde content is used along with arduino to find the value of formalin present in fruits or vegetables.
- A detector was developed that senses formaldehyde existence as parts per million with respect to the

presence in air. It infers whether the concentration in air is permissible or harmless.

- For three trials an accuracy of 98.33 was achieved.

III. OVERVIEW OF THE SYSTEM

Block Diagram:

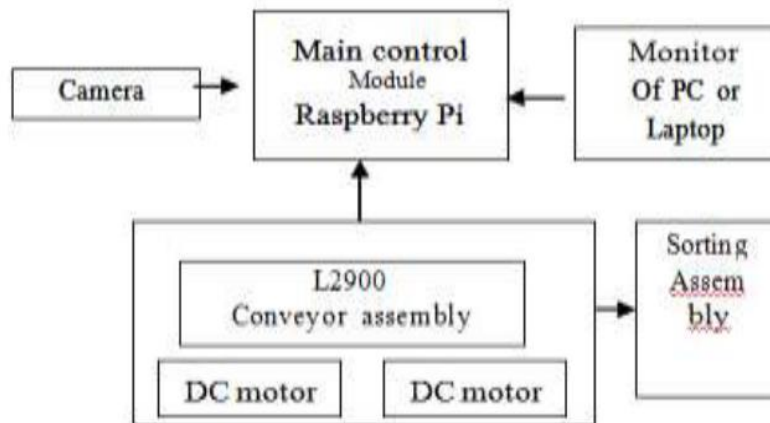


Table 1: Naturally Occurring Formaldehyde Values Of Several Fruits.

Fruit name	Naturally occurring formaldehyde
Apple	6.3–22.3
Apricot	9.5
Banana	16.3
Cucumber	2.3–3.7
Grape	22.4
Pear	38.7–60
Plum	11.2
Tomato	5.7–13.3
Water-melon	9.2

A. Naturally Occurring Formaldehyde

Formaldehyde is naturally produced in fruits and vegetables, meats, fish, etc as a by-product of metabolism. In biological specimens, Formaldehyde is produced from methylated compounds and conversion of glycine and serine. Based on food types and conditions, the formaldehyde content produced could be found by figure out the naturally generated formaldehyde content in food. The below Table I lists the naturally occurring formaldehyde content in various fruits and vegetables.

IV. DESIGN AND EXPERIMENTS

A. Dataset

A Dataset is mostly defined as the collection of data. It will be also worked out as tabular data that corresponds to 1 or more tables. Every column represents a variable and each row represents a selected record within the data set. These data sets play a significant role in Machine Learning while training a model. The more you train the model with good number of dataset that reflects within the accuracy of your model. Detecting the artificially added formalin, this naturally present formalin in the food items may generate wrong results. To avoid this problem, the dataset is referred with the data that of naturally occurring formalin in fruits that's collected from the Centre for Food Safety (CFS). Relating to we created our own data set which consists of three columns fruit and Vegetables t_label, ppm(parts per million) and State in total of hundred+data. There are two types of fruits in the dataset: 'apple' and 'orange'. Then we used this pre-processed dataset to train the predictive model to detect given sample fruits whether fresh or adulterated. The dataset was divided into the training dataset and test dataset 75% for training the model and 25% of the data

for testing it.

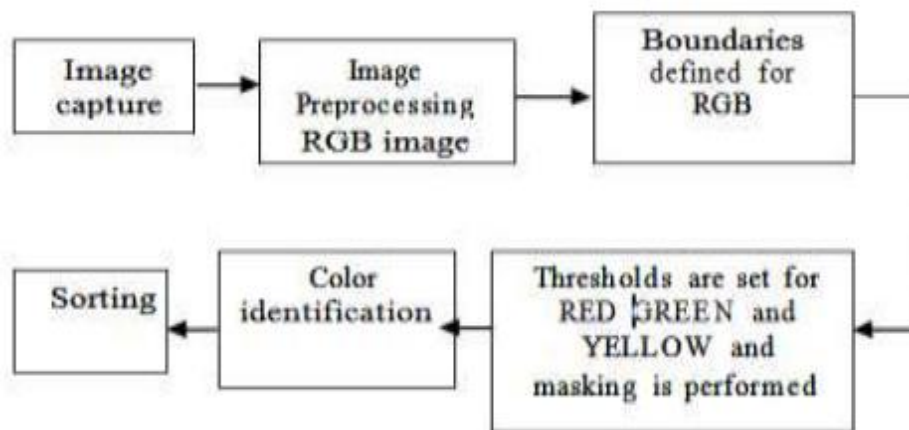
B. Formalin Detection

Fruits are naturally good source for conductor of electricity due to the presence of juice in them which forms mild acid. Acids are able to conduct electricity rather like primary cell where conductivity depends on the number of chemical and water in them. More watery and chemical compound will allow more electrical energy to meet up with. Acidic fruits are good conductor of electricity. Grove HCHO which is a semiconductor VOC sensor used for detecting the formalde- hyde combining with Raspberry-Pi. This sensor featured to detect gas concentration up to 1 ppm (parts per million). As formaldehyde is self-vaporized solution, its presence can be detected by volatile organic compound sensor. The outputvoltage of the sensor is exponentially proportional withthe concentration of formalin present in the fruit sample.

C. Model Development

Followed by the formalin detection different voltage drops are measured for different fruit samples as each fruit contains different range of resistance. Firstly by using the extracted features From the data set we implement the rule based classification model, which first let us categorize the fruit type Later we have performed various algorithms and where results were measured. On completely considering the naturally occurring formalin in fruits we have developed this model and trained using the data set which also depicts the naturally added ppm(parts per million) value alongwith the additionally added formalin. This system generates the output by making predictions whether the particular fruit item is 'dangerous'or'safe'. depicts the process flow.

D. Color Detection



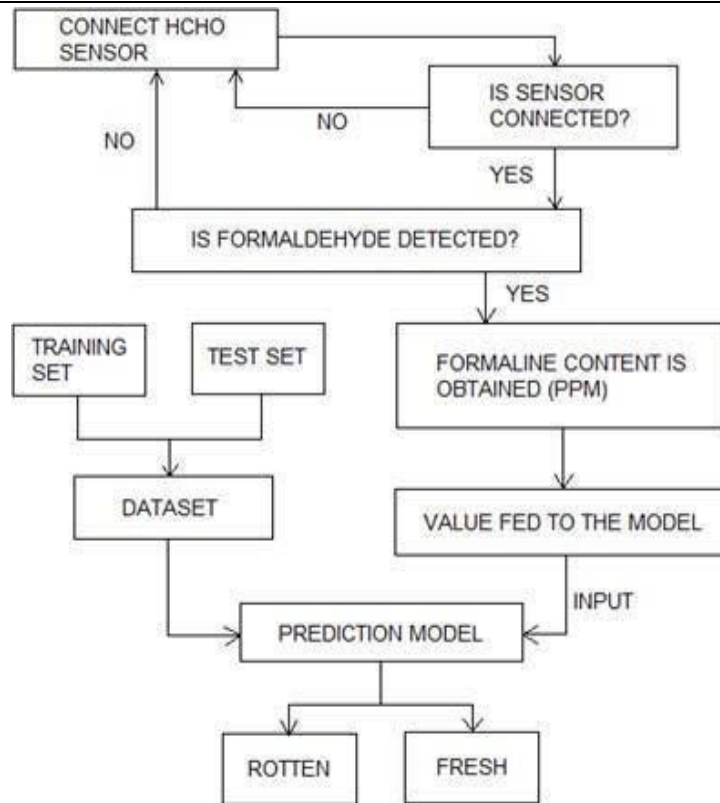
Flow for Color Detection

The above figure shows the flow of color detection based sorting of fruit and Vegetables. Image captured that is RGB image is given to preprocessing. Define the list of boundaries for BGR color. Apply loop over the boundaries. Find the colors within the specified boundaries and apply the mask. In the sorting of fruit is done based on color and grading is done based on both color and size.

V. RESULT AND DISCUSSION

A. Performance of Various Algorithms

The features will often contain information relative to gray scale, texture, shape or context in pattern recognition. It is a vital domain of computer science in concern with recognizing patterns specifically in visual patterns and sound patterns. Several algorithms are used to discover regularities. These regularities are beneficial to perform classification of data.



Flowchart of the proposed system.

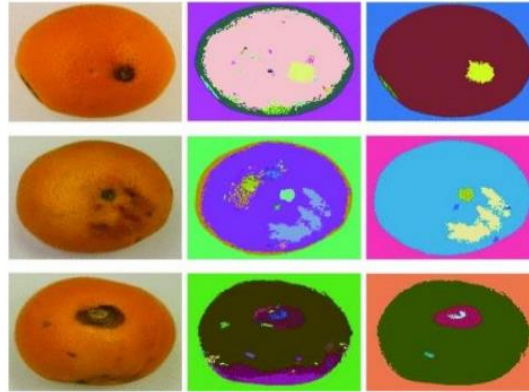
The initial pattern measurement or some series of pattern measurement is converted to a new pattern feature in image processing or machine vision. Higher-level information of the object is obtained using pattern classification. Thus the information or features extracted from the metadata are assigned to the object belonging to a category or class. The development of the classification algorithm results in identification of the objects in the image.

Logistic regression is a classification algorithm where in based on a set of independent variables, a binary outcome is predicted. The binary outcome is the probability of happening of an event or probability of not happening of an event. As depicted in Table II-An accuracy of 70% is obtained in the train set of fruits named train set y and 40% is obtained on the test set of fruits named test set y.

The support vector machine concentrates on the complicated points in the classification unlike other classification algorithms which defines all points. It works best in finding the best separating or uncommon line in the classification. An accuracy of 61% is obtained in the train set of fruits named train set y and 33% is obtained on the test set of fruits named test set y. Another algorithm which is widely used for classification is the k-Nearest Neighbors. The object x, which is unknown in the query image is compared with each and every sample of similar or alternative objects that were previously in use to train the classification algorithm while the process of classification. An accuracy of 87% is obtained in the train set of fruits named train set y and 95% is obtained on the test set of fruits named test set y.

Table 2: Depiction Of Algorithm And The Corresponding Accuracy In Train Set And Test Set.

Algorithm	Accuracy On train set y	Accuracy On test set y
Logistic Regression	70%	40%
Support Vector Machine	61%	33%
K-NN	87%	95%



VI. CONCLUSION

Thus the paper depicts formalin detection based on machine learning approaches. The manual system fails to detect the formaldehyde level accurately. This proposed system is a dynamic and reliable food and formalin detection technique based on machine learning approaches. Detection of food contamination using arduino is one of the simple methods which produces result by measuring the resistance present in the food. Sensing raw formalin without a predefine model of naturally formed formalin result could be misleading. Hence this system traces the artificially added formalin as a presser-vative binary “1 machine learning algorithms”

ACKNOWLEDGEMENT

We express our deepest gratitude to our Project Guide and Project Coordinator who gave constant support and also our college for encouragement throughout the work.

VII. REFERENCES

- [1] M. Samad Khan, F. Nowshad, and M. d. N. Islam, “Concentration and formation behavior of naturally occurring formaldehyde in foods,” Nowshad et al. Agric & Food Secur, 2018.
- [2] A. W. Reza, S. D. Barman, K. Tabassum, A. A. Memi, and N. Sultana, “Food and formalin detector using machine learning,” International Journal of Machine Learning and Computing, 2019.
- [3] F. C. Bato, T. J. G. Bautista, and C. D. Cortez, “Development of formaldehyde detector,” International Journal of Information and Elec- tronic Engineering, 2015.
- [4] Formaldehyde in Food [2018]. [Online] Available: https://www.cfs.gov.hk/english/programme/programme_rafs/programme_rafs_fa_02_09.html.
- [5] Fruit data with colors. [Online] Available: https://github.com/susanli2016/Machine-LearningwithPython/blob/master/fruit_data_with_colors.txt.
- [6] S. Mahya, M. Adlim, Z. Fitri, Y. Amri, and M. Sari, “Preparations of chemical sensors for simple formalin detection in contaminated food”, Annual International Conference, 2011. A. Wilson, “Diverse applications of electronic-nose technologies in agriculture and forestry,” Multidisciplinary Digital Publishing Institute (MDPI), 13.
- [7] A. Naseer, A. Dar, J. Amara, U. Shafique, and J. Anwar, “A simple spot test quantification method to determine formaldehyde in aqueous samples,” Journal of Saudi Chemical Society, 2016.
- [8] S. Dea, E. A. Baldwin, J. Bai, and A. Plotto, “Electronic noses and tongues: Applications for the food and pharmaceutical industries,” Sensors, 2011.
- [9] W. C. Seng and S. H. Mirisae, “A new method for fruits recognition system,” in Proc. International Conference on Electrical Engineering and Informatics, 2009.
- [10] M. Siraj, W. B. Habib, and S. S. Saha, “Food alytics: A formalin detection system incorporating a supervised learning approach,” Human-itarian Technology Conference (R10-HTC), 2018.
- [11] Sukhpreet Kaur, Akshay Girdhar and Jasmeen Gill, “Computer Vision-Based Tomato Grading and Sorting”. J. Gill RIMT IET, Mandi Gobindgarh, India © Springer Nature Singapore Pte Ltd. 2018 M. L. Kolhe et al. (eds.), Advances in Data and Information Sciences, Lecture Notes in Networks and Systems

- 38, https://doi.org/10.1007/978-981-10-8360-0_7.
- [12] Deepika Sharma, Sharad D. Sawant, "Grain Quality Detection by using Image Processing for public distribution". International Conference on Intelligent Computing and Control Systems ICICCS 2017, 978-1-5386-2745-7/17/\$31.00 ©2017 IEEE.
- [13] Dr.Muhammad Anzar Alam ,Engr. Zahida Parveen , Engr. Hina Shakir "Assessment of Quality of Rice Grain using Optical and Image Processing Technique", 2017 International Conference on Communication, Computing and Digital Systems (C-CODE) 978-1-5090-4448-1/17/\$31.00 ©2017 IEEE.
- [14] Manali R. Satpute, Sumati M. Jagdale , "Automatic Fruit Quality Inspection System",IEEE2016 [5] SajadSabzi, YousefAbbaspour-Gilandeh, JuanIgnacio Arribas, "Non-intrusive image processing Thompon orange grading methods" 978-1-5386-0566-0/17/\$31.00 ' 2017 IEEE.
- [15] GeorgeMathew Akshaya, Jaina George,Dr.J. S.Janardhana, K.J.Sabareesaan Research scholar, Annamalai University, India International Conference on Current Trends in Engineering and Technology, ICCTET'13 IEEE 2013 IEEE- 32107 July 3, 2013, Coimbatore, India.
- [16] Ruchita R. Mhaski, P.B. Chopade M.P. Dale "Determination of Ripeness and Grading of Tomato using Image Analysis on Raspberry Pi"2015 International Conference on Communication, Control and Intelligent Systems (CCIS) 978- 1-4673-7541-2/15/\$31.00 it 2015 IEEE.
- [17] M. Samad Khan, F. Now shad, and M. d. N. Islam, "Concentration and formation behavior of naturally occurring formaldehyde in foods," Now shad et al. Agric & Food Secur, 2018.
- [18] A. W. Reza, S. D. Barman, K. Tabassum, A. A. Memi, and N. Sultana, "Food and formalin detector using machine learning," International Journal of Machine Learning and Computing, 2019
- [19] F. C. Bato, T. J. G. Bautista, and C. D. Cortez, "Development of formaldehyde detector," International Journal of Information and Electronics Engineering, 2015.
- [20] F. C. Bato, T. J. G. Bautista, and C. D. Cortez, "Development of formaldehyde detector," International Journal of Information and Electronics Engineering, 2015.
- [21] S. Mahya, M. Adlim, Z. Fitri, Y. Amri, and M. Sari, Annual International Conference, 2011. A. Wilson, "Diverse applications of electronicnose technologies in agriculture and forestry," Multidisciplinary Digital Publishing Institute (MDPI).
- [22] R. T. Gahukar Arag, International Journal of Basic and Applied Sciences, 3 (1),47-54 (2014).
- [23] M.W. Siddiqui, R.S. Dhua, Eating artificially ripened fruits is harmful, Current Science, 99 , 1664-1668(2010).
- [24] K. Sharma, P.P. Dhyani, S.S. Samant, Toxic chemicals in fruits and vegetables: An overview, Everyman's Science, 65,215-218 (2010) .
- [25] S.S. Mishra, Pesticide-rich food, Down To Earth, 19(18), 16 (2011).
- [26] K.P. Nair, T.B. Mathew, Home processing to address food safety issues in cereals, Journal of Insect Science, 26, 111-119 (2013).
- [27] R.V. Sudershan, P. Rao, K. Polasa, Food safety research in India: A review, Asian Journal of Food and Agro-Industry, 2 , 412-433(2009).
- [28] K. Subbannayya, G.K. Bhat, S. Shetty, V.G. Junu, How safe is sugarcane juice?, Indian Journal of Medical Microbiology, 25 , 73-74 (2007).
- [29] P.K. Jaiswal, Common Adulterants/Contaminants in Food and Simple Screening Tests for Their Detection, Central AGMARK Laboratories, Nagpur, India (2011).
- [30] Asraf, H. Muhammad, M. T. Nooritawati, and M. S. B. Rizam. "A Comparative Study in Kernel-Based Support Vector Machine of Oil Palm Leaves Nutrient Adulterated." Procedia Engineering 41 (2020): 13531359